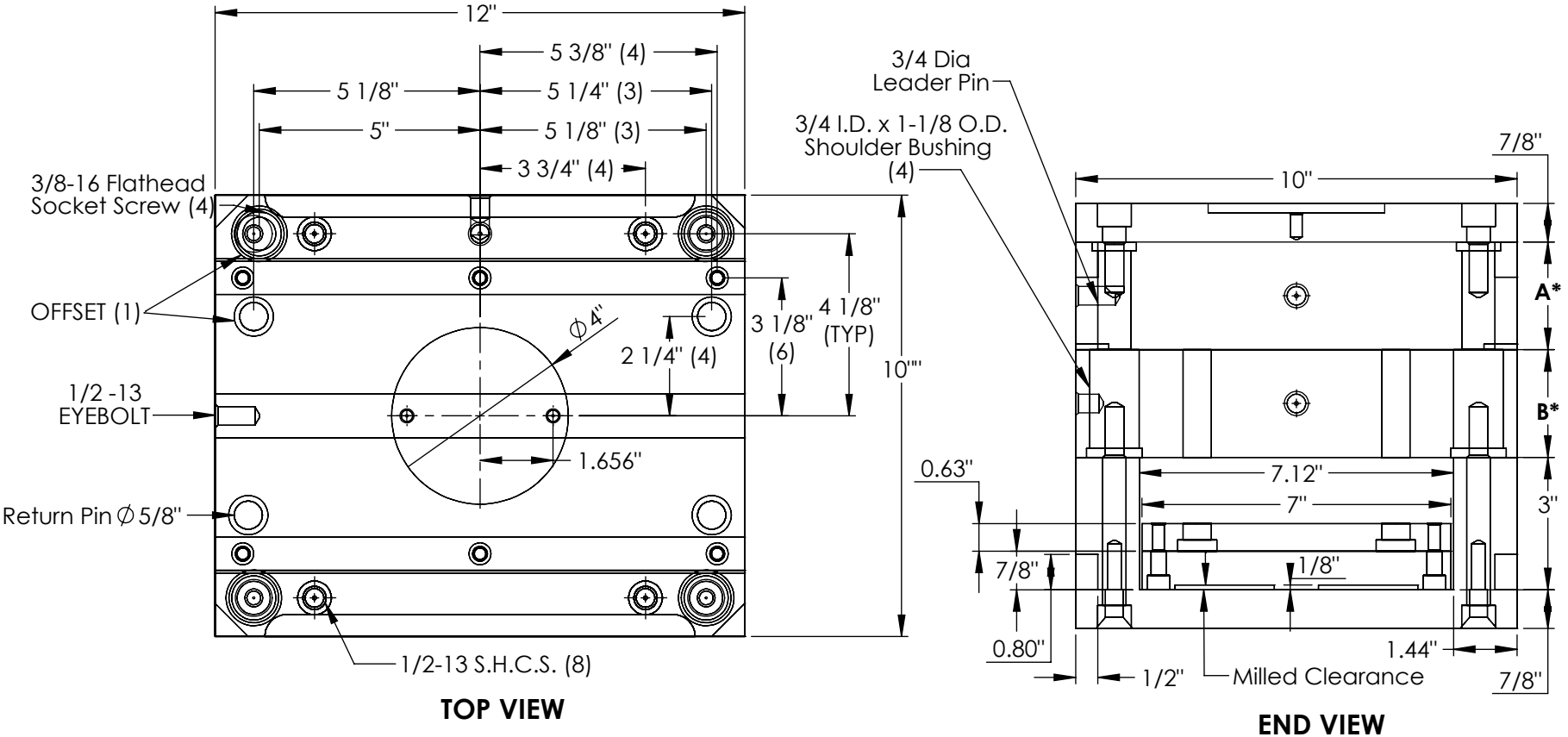


# American Quality Molds, LLC

## 10 x 12 Mold Base



STD A & B Plate Options Available(in)	
A*	B*
1.94	1.94
2.44	2.44
2.94	2.94
3.44	3.44

American Quality Molds, LLC  
 2275 Millville Ave Suite E  
 Hamilton, OH 45013  
 513-889-1060