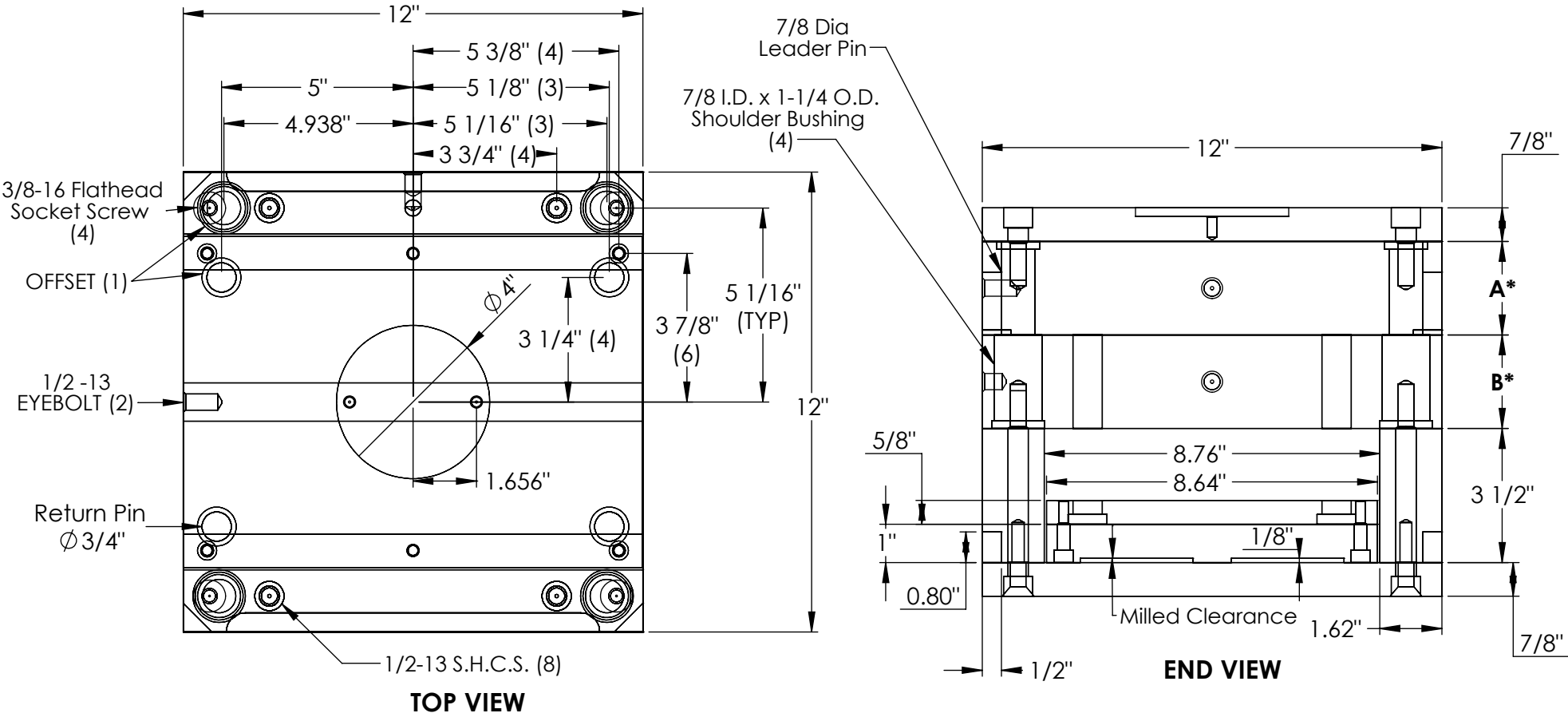


American Quality Molds, LLC

12 x 12 Mold Base



STD A & B Plate Options Available(in)

A*	B*
2.44	2.44
2.94	2.94
3.44	3.44

American Quality Molds, LLC
 2275 Millville Ave Suite E
 Hamilton, OH 45013
 513-889-1060